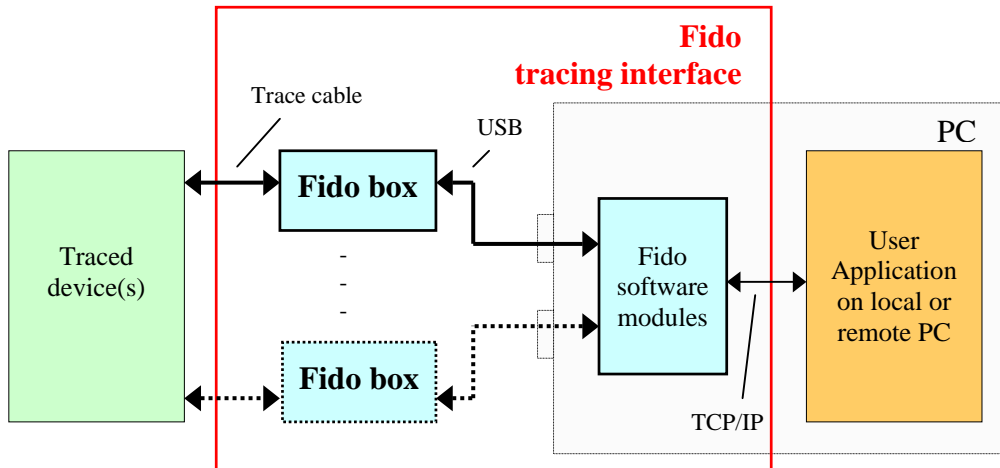


Introduction

Fido is a bundle of hardware and software modules serving as a tracing interface between traced device(s) and user application. Fido boxes act as physical interfaces between traced device(s) and PC. Data received from traced device(s) is pre-processed in boxes and forwarded via USB connection to Fido software module running on PC. The software module converts data into format acceptable for user application software.



To start tracing, you need

- Fido box and USB cable (product code 49128, see ordering info on www.liewenthal.ee/products/fido)
- Trace cable (product code 48107).
- Fido box drivers and software (downloadable from www.liewenthal.ee/products/fido). Fido software requires Windows XP or higher.
- Java support (Java Runtime Environment Version 6 or higher, downloadable from java.sun.com).

Fido software installation

To install the Fido software you must be logged in as administrator. Download the installation program from www.liewenthal.ee/products/fido, start it and follow the screen prompts.

The installation program, among other tasks, pre-installs the Fido box USB driver on your system. However, when you first time connect a Fido box to your PC, Windows *New Hardware Wizard* may become active. The Wizard should be able to locate the driver files itself automatically. If a problem would occur, help the Wizard to search and install the *fidousb.sys* and *fidousb.inf* driver files.

Tracing with one Fido box

1. Connect the Fido box to your PC.
2. Connect the Fido box to the traced device. The box has two connectors (X1 and X2); the choice depends on the type of your cable.
3. Launch Fido program. Using the control panel resources, perform all the necessary configuring (in most cases the default settings would be fine). See Fido help for instructions.
4. Prepare to download and store the trace data. There are three options:
 - a. Run your own user application capable to retrieve and store the traces.
 - b. You may replace your application with a browser. For that connect the browser to Fido port 7654 (for example: <http://localhost:7654>).

- c. Fido control panel has resources for organizing the data download. See Fido help for instructions.
5. When those steps are completed, Fido is ready to operate.

Tracing with several Fido boxes connected to the same single PC

1. With all the Fido boxes, perform steps 1 and 2 as specified above.
2. If the tracing streams from Fido boxes must stay in exact synchronization, connect boxes with synchronization cables (product code 48706). Connect your boxes into circle so that the connector X3 of each box gets connected to the next box X4.
3. Prepare to download and store the trace data as specified above.

Tracing with several Fido boxes connected to several PCs

1. Connect your Fido boxes to PCs and traced devices. If necessary, connect the boxes into synchronization circle.
2. Launch Fido program on all the PCs to which the Fido boxes are connected.
3. Select one of the Fido instances to operate as the Main Fido instance. Configure all the other (Slave) Fido instances to share their boxes (ports). On the Main Fido instance, establish connections to all the Slave Fido ports (boxes). See Fido help for instructions.
4. Configure the Main Fido instance, prepare to download and store the trace data as specified above, establish the connection to the Main Fido instance and start tracing.

Support

www.liewenthal.ee/products/fido

Legal notice

This material, including documentation and any related computer programs, is protected by copyright controlled by Nokia. All rights are reserved. Downloading and copying of the material for use with the Fido tracebox is permitted. Redistribution of any or all of this material requires a prior written consent of Nokia. This material also contains confidential information, which may not be disclosed to others without the prior written consent of Nokia.